

drive



XS Suspension Wheelchair
(XSSW18BL)

Instructions for use

UK
CA CE

Introduction

Intended purpose

To provide manually propelled mobility to an individual who has a walking related disability and/or who does not have the full capacity to walk.

Intended user group

The wheelchair is intended for an individual who has a walking related disability and/or who does not have the full capacity to walk and has a weight of up to 115kg (18 stone).

Environment of use

The wheelchair is suitable for both indoor and outdoor use however it is not intended to be used on rough or uneven terrain.

Indications

To assist with the mobility of an individual, as defined in the 'intended user group' section.

Contraindications

- The occupant exceeds the maximum weight capacity.
- The occupant has postural support needs that are not addressed by the wheelchair.
- Inability to safely guide a wheelchair.
- Occupants with Hemiplegia.
- Occupants with only one arm/hand.

Other contraindications may be relevant which are specific to an individual and / or care environment.

Product overview

The wheelchair is constructed from an aluminium frame with a padded fabric seat for the occupant. The wheelchair incorporates footrests for the occupant, and it is able to be folded when not in use or being transported in a vehicle. The wheelchair is available as a self-propelled model, where the occupant can propel it. The wheelchair can be manually propelled forwards and backwards.



Warning

This wheelchair must not be used as a seat in a motor vehicle. Users should always transfer to the vehicle's seat and the wheelchair should be safely stowed away.

Parts description



XS Suspension Wheelchair (XSSW18BL)



XS Suspension Wheelchair (back)

Preparing for use

These instructions should be read carefully before using the wheelchair. This product does not have a service manual. The following parts should be adjusted by a healthcare professional to suit each user's requirements:

1. Rear Wheels

To alter the horizontal and vertical position of the rear wheels, push the quick release pins to remove the wheels and axles (see **disassembly and storage**), then move the axle bosses to the desired position for both wheels. Reattach the wheels securely and readjust the brakes accordingly. Drive DeVilbiss Healthcare Ltd recommends approved service personnel do this.

2. Upholstery

This wheelchair features a cushioned seat and back, and a tension-adjustable back canvas. To adjust the tension, remove the cushion and backrest, then adjust Velcro straps. Ensure straps are not too taut, as this can damage the wheelchair.

3. Armrest Position

Move the armrests back or forward by turning the knobs on either side. Press the silver buttons to adjust the armrest height and lock into place.

4. Shock Absorbers, Footrest Height and Angle, Anti-tip Wheels

For more information, see the **shock absorber adjustment, footrest adjustment** and **steep terrain, kerbs and steps** sections.



Warning

Adjusting ride characteristics will affect the wheelchair's dynamic stability. Always apply these modifications equally to both sides.

A risk assessment must also be performed to assess suitability of the device for the user. This assessment should include, but not be limited to:

- Small adults (and children)
- Users (and attendants) who lack capacity
- Very active occupants
- Unauthorised access to the wheelchair

Independent users and attendants are responsible for determining that they are both mentally and physically capable of using the wheelchair with minimal risk of harm.

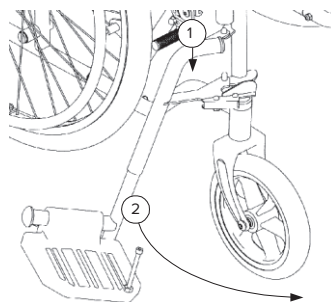


Maximum occupant mass – Exceeding the limit marked on your device can damage the product and put users at risk of harm.

Footrest adjustment

To fit the footrests, align approximately 45° outwards, push down firmly into the frame (1) then rotate inwards (2) until they lock into place. Pull the handle / lever and rotate to release.

For optimum comfort it is important to attain the correct leg position. To change the footrest height, unscrew the hex bolt on the silver tubing with a 5mm hex key. To alter the footplate angle, loosen the 6mm hex bolt on the side. Adjust the footrest as required, then tighten to secure.



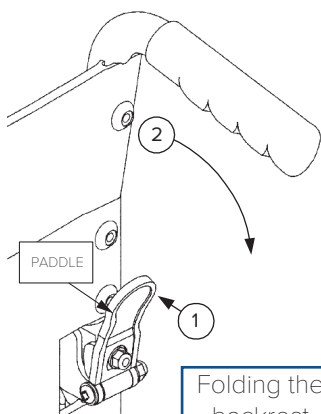
Attaching the footrest



Common misuse

Do not stand on the footrests. Overloading can damage the product and cause harm to the occupant.

Folding back mechanism



To fold the backrest, push the black paddle towards the back post with your thumb (1) whilst pulling the handle down (2) as shown in the [folding the backrest](#) image. Repeat this operation for the other handle.

To put the backrest back into position, lift both handles together and the folding mechanism will lock back automatically.

Do not push down on the handles to raise the front of the wheelchair, as this could result in damage to the wheelchair. To mount kerbs and steps, reconnect the backrest and use the stepper tube as described in the [steep terrain, kerbs and steps](#) section.



Common misuse

The paddle is intended to be pushed. Do not pull the paddle to fold the backrest.

Transfer and use



Before using the wheelchair, read the safety notices below;

- Do not exceed the 10° maximum gradient. Use slow speeds and do not reverse down a gradient.
- Do not use on escalators.
- The wheelchair is only suitable for single occupancy.
- Keep your feet on the footrests when moving. Do not stand on the footrests.
- Ensure that fingers and objects do not get caught in the wheel spokes or any other moving parts during use and assembly.
- Maintain proper balance at all times. Users should not move their centre of gravity out of the seating area.
- Do not reach for items further than your arm's length.
- Parking brakes should always be applied when transferring.
- Be aware of hazards in your environment, such as narrow doorways, steps, household appliances, children's toys, etc.
- A risk assessment must be performed by a competent person to ensure the wheelchair is suitable for the user. We recommend you consult a healthcare professional before using any assistive medical devices.
- Keep away from heating and ignition sources which may raise surface temperatures or cause a fire.

Remove all packaging and stand the wheelchair on the ground. Separate the armrests to open the wheelchair, then push down firmly. Pull the snap link back to ensure the wheelchair is locked in an open position. Once secure, with the backrest upright and the footrests attached, the wheelchair is ready for use.

Transfer: When transferring in and out of the seat, move the seats as close as possible to each other. Attendants should engage parking brakes and fold away footrests. If users need to be lifted out of a seat, attendants are responsible for being suitably trained and competent to lift occupants with minimal risk of harm. Good health and safety practice must always be used.

Propelling: Occupants propel the wheelchair by pushing the handrims on the rear wheels. To slow down, apply pressure to the handrims. Attendants can also push from behind using the handgrips, following the safety advice above.

When stationary, the brakes should always be applied.

Steep terrain, kerbs and steps

Steep terrain: These wheelchairs are not designed for use on gradients beyond 10°. When on a slope, avoid swerving or sudden changes in movement.

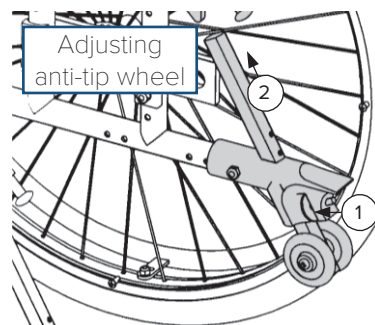
Over kerbs: Attendants push down on the stepper tube with a foot to raise the front castors (when mounting a kerb for example).



Common misuse

Do not lean or push down on the push handles, as this can damage the wheelchair.

The stepper tube at the back of the wheelchair comes with an integral anti-tip wheel (shown in [Adjusting anti-tip wheel](#)). To adjust the height of these wheels and enable the wheelchair to tip backwards, pull the metal disc (1) and adjust the height of the wheel (2). Release the disc and slide the anti-tip wheels to ensure they are locked in position.



To mount kerbs, lift the anti-tipper wheels fully and approach the kerb head-on. Then the attendant uses the stepper tube to raise the front castors, and lowers the front castors on the raised kerb. Finally, the attendant should push the wheelchair forward, lifting it up slightly to mount the kerb if required.

To go down, line up the front castors with the edge of the kerb. The attendant uses the stepper tube to raise the front castors and tip the user slightly back. Keeping the castors raised, slowly lower the wheelchair down the kerb.



Common misuse

In most cases, attendants should also raise the front castors when going down kerbs, to prevent the user from falling or sliding out.

Multiple steps: The wheelchair is not designed to mount staircases, so may require carrying if no elevators or ramps are available. Attendants are responsible for being suitably trained and competent to lift the wheelchair with minimal risk of harm. Do not carry using the handles or any removable sections.

Brake operation

To apply the parking brakes, push the handle on the brake unit forwards until locked in place. To release the brake, pull the handle in the opposite direction.

The brakes should always be applied when the wheelchair is stationary.



Using a wheelchair belt

Belts are often used to restrain wheelchair occupants during normal use. However, belts are not provided as standard with this model. Any belts used should be adjusted to suit each user. When fastened, they should be tight without causing discomfort or undue pressure. Belts may not be suitable for all users. Any belts must fit and be used in line with the manufacturer's instructions for use. Seek professional medical advice before using a wheelchair belt.

Shock absorber adjustment

The rear shock absorbers can be adjusted for different ride properties.

For a softer ride, turn the star-shaped disc on the absorber anti-clockwise. To make the ride more firm, turn the disc clockwise.

Adjusting the ride characteristics of the wheelchair will affect its dynamic stability. Always make these changes equally to both sides of the wheelchair



Disassembly and storage

This wheelchair has a number of quick release components and the wheelchair frame is easily foldable. This facilitates a light carry weight and minimises storage space required. To disassemble for storage, transport or maintenance, follow the steps below. To reassemble components, reverse these instructions.



1. Quick release wheels

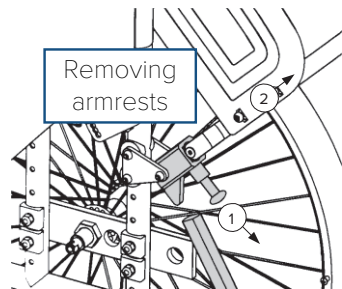
To remove the rear wheels, push the button in the centre of the wheel hub, (shown on the Quick release button diagram in grey), and slide the wheel and axle from the frame.

To reattach, push both parts into the frame until the wheel is secure.

2. Armrests

There is a lever towards the front of each armrest to move them, similar to the backrest levers. Push the levers to release the armrests and flip them upwards.

To remove the armrests, flip them upwards, pull the lever at the back (1) of the Removing armrests image and pull upwards on the tube frame (2).



3. Half Folding Back

Follow the previous instructions to fold the back.

4. Footrests

Follow the previous instructions to remove or swing out the footrests.

5. Folding the wheelchair

Remove the seat and back cushions. Then grab the centre of the front and rear edges of the seat sling. Pull upwards on the seat sling and the wheelchair should naturally fold up.

The wheelchair should be stored in a dry environment, away from direct sunlight. The wheelchair may be folded and stored in a motor vehicle.

If wheels are attached, store with the parking brakes on.

Care and maintenance

Do not use a damaged or badly worn wheelchair. Users should routinely check for any malfunctions or changes in performance. See **Accessories and Spare Parts** section for approved parts available from Drive DeVilbiss Healthcare Ltd.

- Before each use of the wheelchair, the brakes and tyres should be checked. It can be folded up for storage, with the parking brakes on.
- The wheelchair should be kept clean and dust free. This can be done with a duster or damp cloth. Avoid neat bleach or abrasive surface cleaners. Leave to fully dry before reuse.
- Drive DeVilbiss Healthcare Ltd recommends that an approved service engineer maintains the wheelchair annually, and these items should be repaired, replaced, adjusted and/or lubricated if required:
 - Brakes and tyres
 - Wheels, bearings and castors
 - Shock absorbers
 - Anti-tip bar adjustment
 - Footrest locking mechanism
 - Seat upholstery
 - Back upholstery
 - Armrests and mechanisms
 - Rear wheel quick release pin
 - Half folding back mechanism
 - Back posts
 - Wheelchair folding mechanism
- When the product has reached the end of its useful life, follow local recycling and disposal policies.

Powerpack installation



Powerpack
example

This wheelchair may be suitable for some retrofit powerpacks, which allow the device to be controlled electronically. (See Powerpack example image.)

Powerpacks are not required to use the wheelchair. The mounting position will need adapting to be suitable for both the user and the powerpack used. Any installed powerpack must be used in line with the manufacturer's instructions for use.

For more information about powerpacks, contact Drive DeVilbiss Healthcare Ltd or your local dealer.

Specification

Model	XSSW18BL
Maximum occupant mass	115 kg
Overall length with footrest	97 cm
Overall width	71 cm
Folded length	87 cm
Folded width	32 cm
Folded height	91 cm
Total mass	14.9 kg
Static stability	10°
Effective seat depth	45 cm
Effective seat width	40 cm
Seat surface height at front edge	48 cm
Overall height	91 mm

This page is left blank intentionally.

This page is left blank intentionally.

This page is left blank intentionally.

Warranty

Your Drive branded product is warranted to be free of defects in materials and workmanship for one year from date of purchase. This device was built to exacting standards and carefully inspected prior to shipment. This warranty is an expression of our confidence in the materials and workmanship of our products and our assurance to the customer.

In the event of a defect covered by this warranty, we will at our option supply parts or replace the device. This warranty does not cover device failure due to owner misuse or negligence, or normal wear and tear. The warranty does not extend to non-durable components, such as rubber accessories, castors and grips, which are subject to normal wear and need periodic replacement. The wheelchair frame has a 5-year warranty.

If you have any queries or require full warranty conditions, please contact your provider.

Accessories and spare parts

Drive DeVilbiss Healthcare Ltd provide a range of accessories for the XS Suspension Wheelchair. Spare parts are also available for maintaining your wheelchair.

To order these parts, contact your provider. Visit www.drivedevilbiss.co.uk to find your local stockist. Spare part catalogues, compatibility charts and other documentation can also be found on this website. Only use parts approved by Drive DeVilbiss Healthcare Ltd.

Support

For more information, or assistance with use and maintenance, please contact your provider. Users with visual, reading or cognitive disabilities should seek advice from their provider or a professional care provider for an appropriate format. For the latest version of this document, contact Drive DeVilbiss Healthcare Ltd using the details below, or check our website.

Any serious incident that has occurred in relation to the device should be reported to the manufacturer and the MHRA or the competent authority of your Member State. Please quote the product serial code on all correspondence, which can be found on the wheelchair frame under the seat.



Sichuan AST Medical Equipment Co. Ltd.

58 Jin-Peng Road, C Area, Luxian Industrial Park,
Luzhou City, Sichuan Province, 646100 CN



Lotus NL B.V.

Koningin Julianaplein 10, le Verd, 2595AA, The Hague, NL



SUNGO Certification Company Limited

3rd Floor, 70 Gracechurch Street, London EC3V 0HR, GB



Drive DeVilbiss Healthcare Ltd

Sidhil Business Park, Holmfield, Halifax
West Yorkshire, HX2 9TN, GB

Drive DeVilbiss Sidhil Ltd

4 Trench Road, Mallusk, Newtownabbey
BT36 4TY, Northern Ireland

Drive DeVilbiss Healthcare Ltd provide these instructions for use and product markings.

info@drivedevilbiss.co.uk | www.drivedevilbiss.co.uk

Service & Maintenance

Tel: +44 (0)1422 233136

Fax: +44 (0)1422 233010

Spares

Tel: +44 (0)1274 475125

Customer Service

Tel: +44 (0) 845 0600 333

Fax: +44 (0) 845 0600 334

Approved
service facility